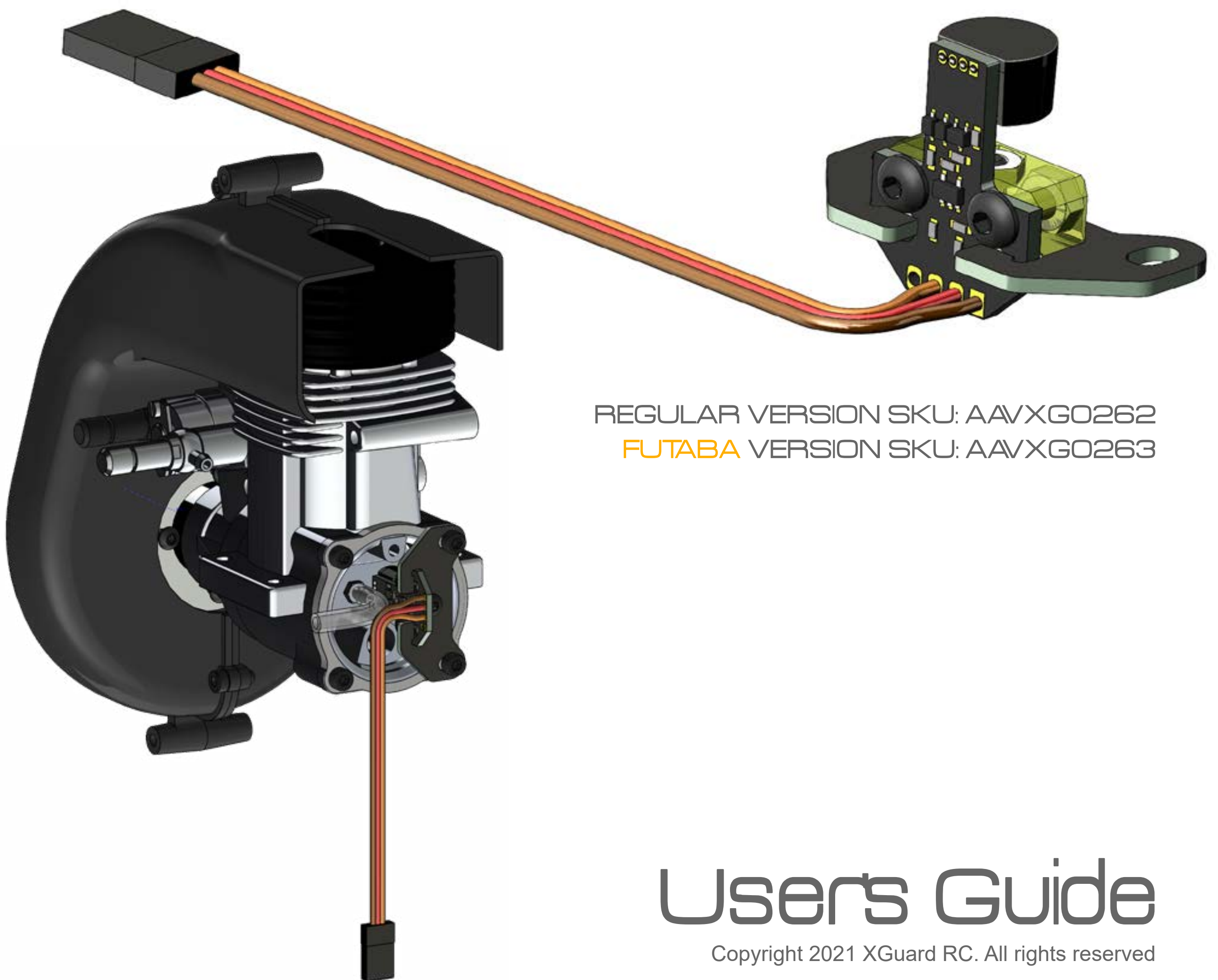




XGuard

# BackPlate Sensor



REGULAR VERSION SKU: AAVXG0262

FUTABA VERSION SKU: AAVXG0263

## Users Guide

Copyright 2021 XGuard RC. All rights reserved

# XGuard BackPlate Sensor



## LIABILITY DISCLAIMER

This device is for use exclusively on a radio controlled (RC) model. RC models are not toys. Moving parts can present a hazard to operators, bystanders and anyone or anything that could be reached by the RC model. Improper operation, maintenance or assembly can potentially cause an RC Model to pose a danger to persons or objects including but not limited to the possibility of causing serious physical injury and even death. After leaving its facilities the manufacturer has no way of maintaining control or supervision over the assembly and/or operation of the RC model or the addition of this device to the RC Model therefore the manufacturer and/or its agents assume no responsibility or liability whatsoever for any damages including but not limited to ones generated by incidental or consequential damages. The operator of the RC Model assumes all responsibility and liability that could result from the correct or incorrect operation of the RC Model and/or malfunction of any part or device used.



This product is intended to be used by experienced adult radio control model operators under controlled safety conditions and on locations properly authorized and setup for safe flying and away from other people. This product must not be operated without reasonable personal or commercial Liability Insurance.



Under no circumstance should a minor be allowed to operate any radio controlled model without the approval, supervision and direction of his/her parent or legal guardian who takes full responsibility and assumes full liability of every kind for the minor's actions.



Do not operate an RC models within the vicinity of homes, trees, electrical lines during inclement weather or rain or near crowds of people.

[www.XGuardRC.com](http://www.XGuardRC.com)

# XGuard BackPlate Sensor

## TABLE OF CONTENTS

### Contents

LIABILITY DISCLAIMER .....	2
TABLE OF CONTENTS.....	3
<b>IMPORTANT WARNING</b> .....	4
ASSEMBLY FOR 91-120 ENGINES.....	5
ASSEMBLY FOR 50-55 ENGINES.....	6
MOUNTING THE SENSOR.....	7

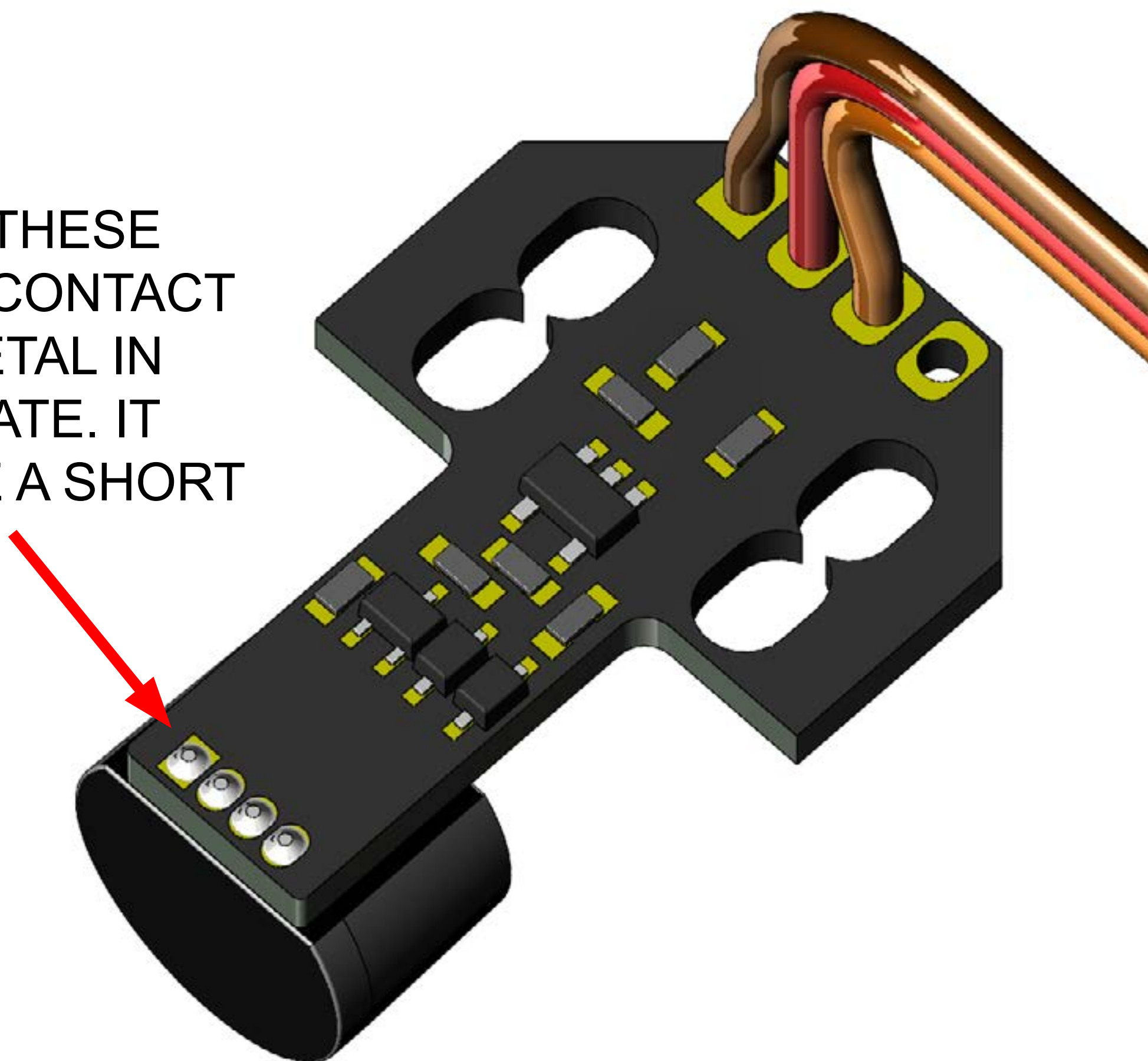


# XGuard BackPlate Sensor

## IMPORTANT WARNING

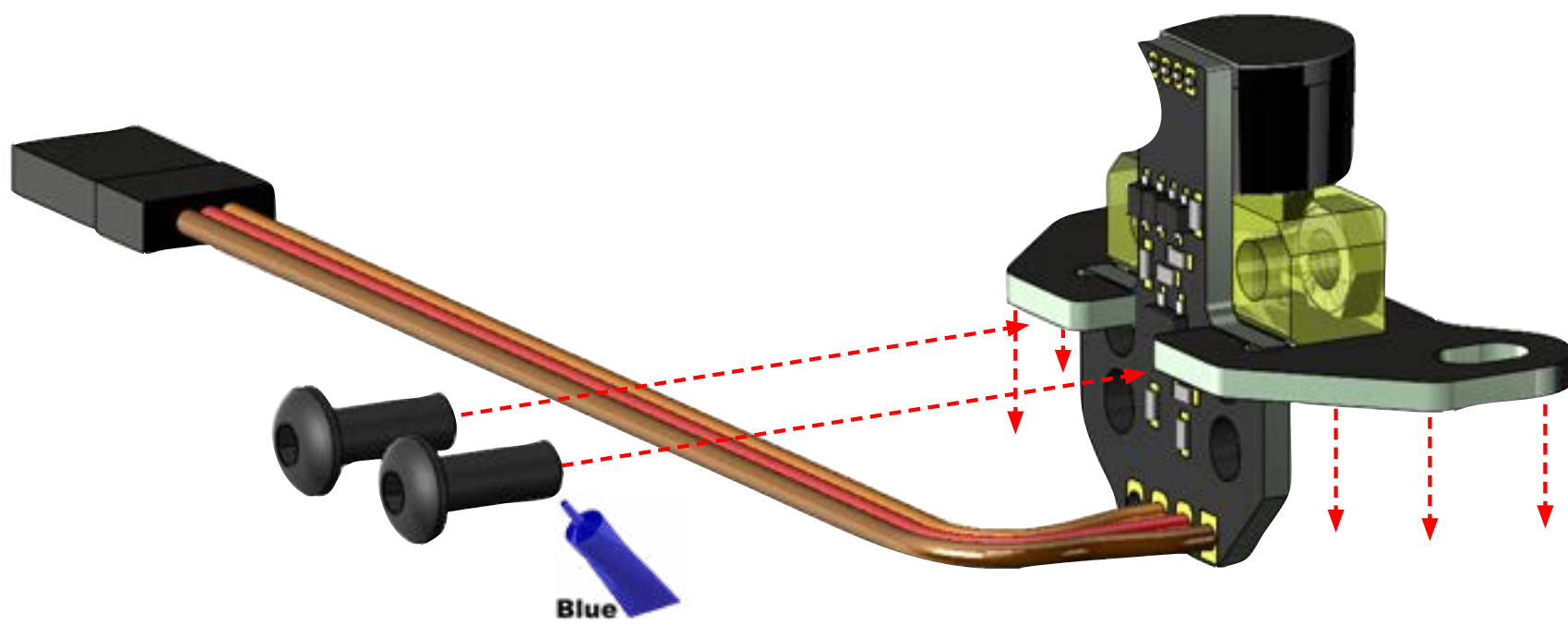
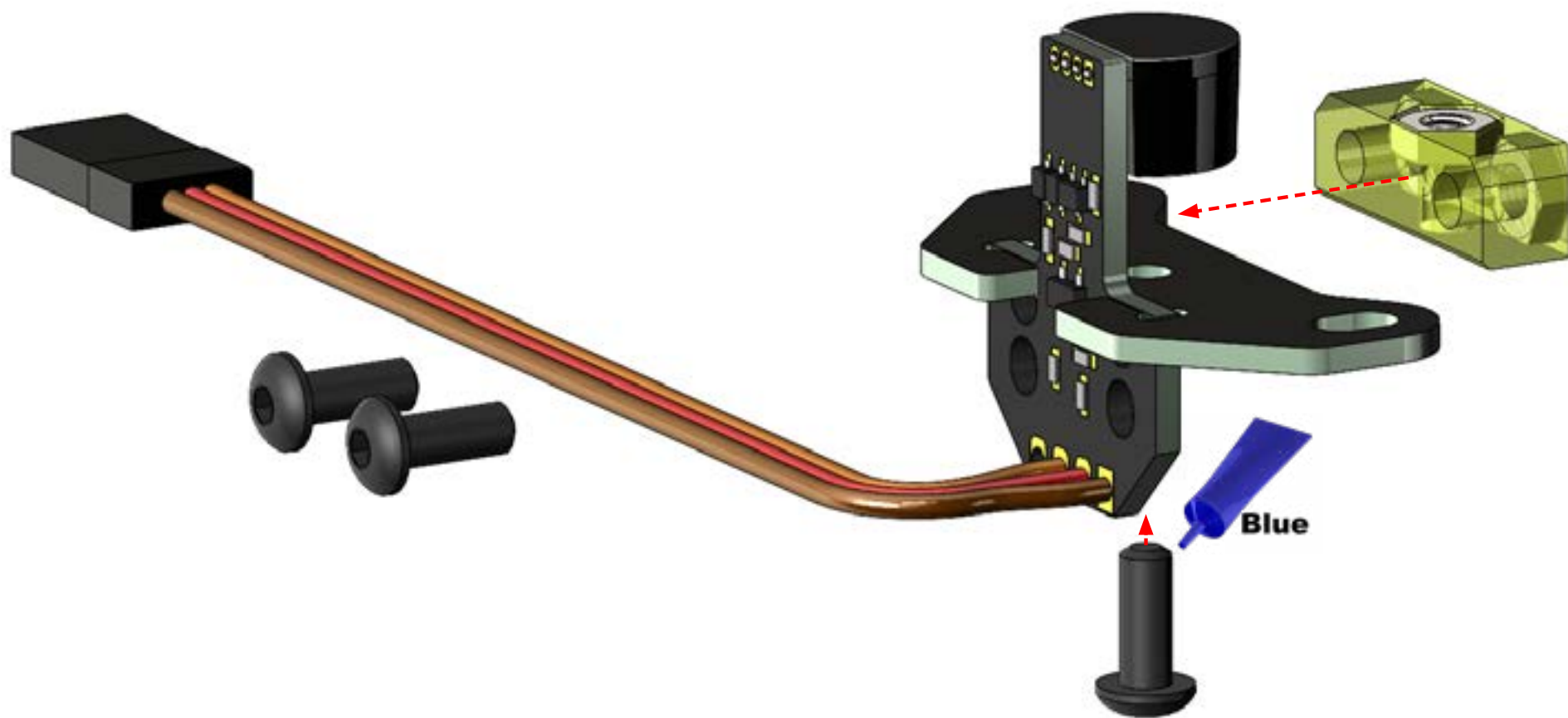
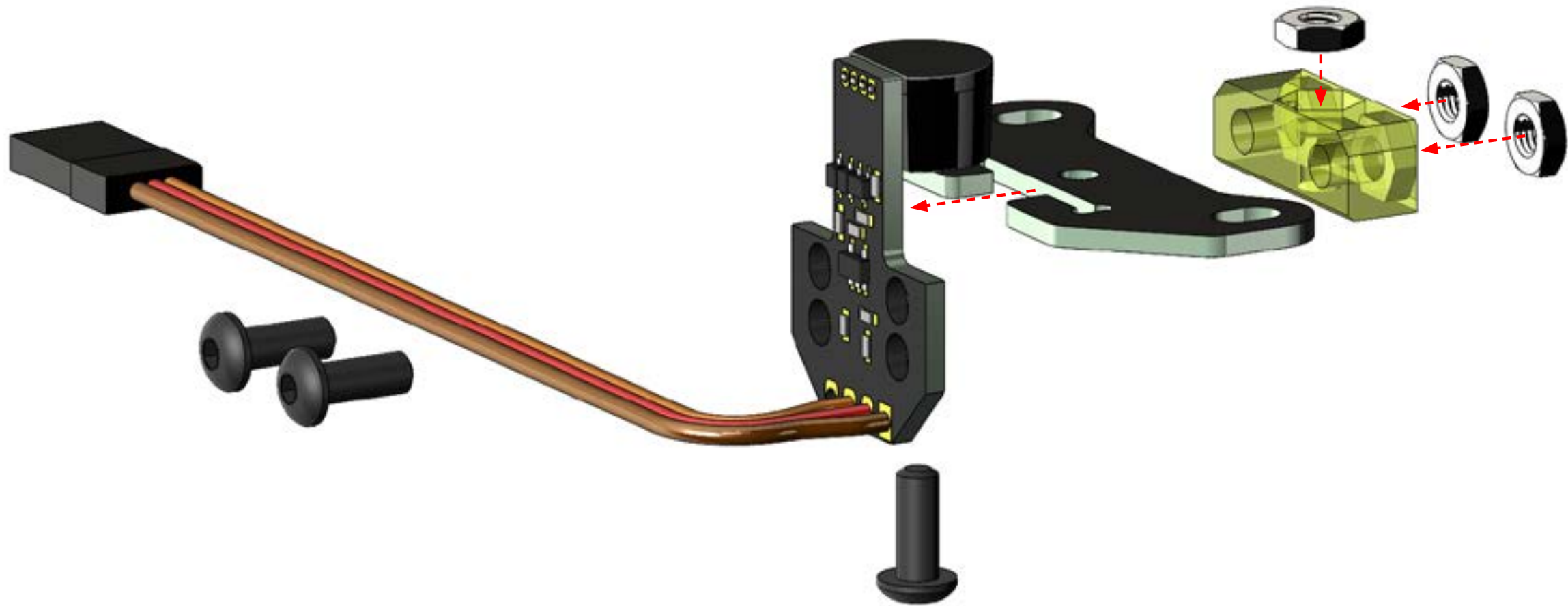
**\*\*\* WARNING \*\*\***

DO NOT LET THESE PINS GET IN CONTACT WITH ANY METAL IN THE BACKPLATE. IT WILL CREATE A SHORT



# XGuard BackPlate Sensor

## ASSEMBLY FOR 91-120 ENGINES



Configured for the 90-120 class engines

[PLAY ASSEMBLY VIDEO](#)



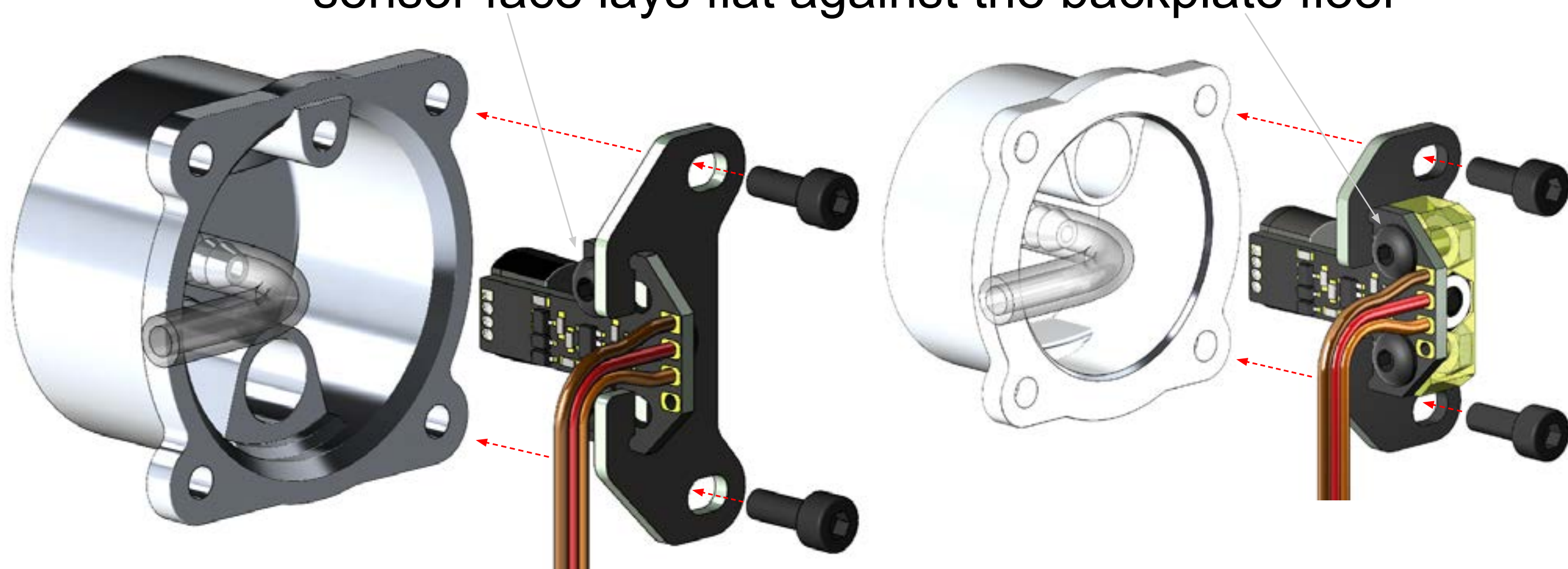




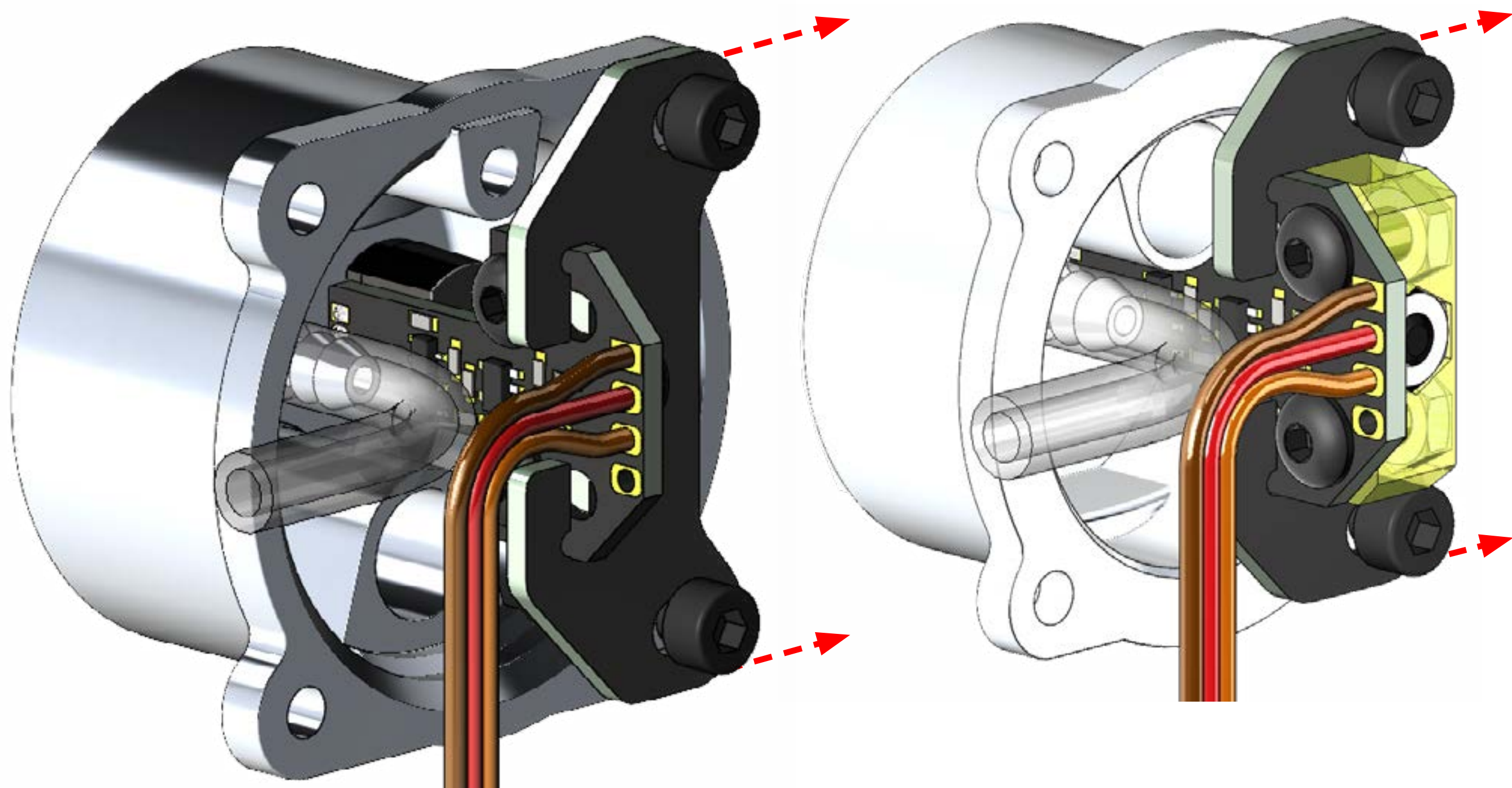
# XGuard BackPlate Sensor

## MOUNTING THE SENSOR

Adjust the sensor's plastic block screws so that the sensor face lays flat against the backplate floor



Slide the sensor toward the outer backplate wall and tighten

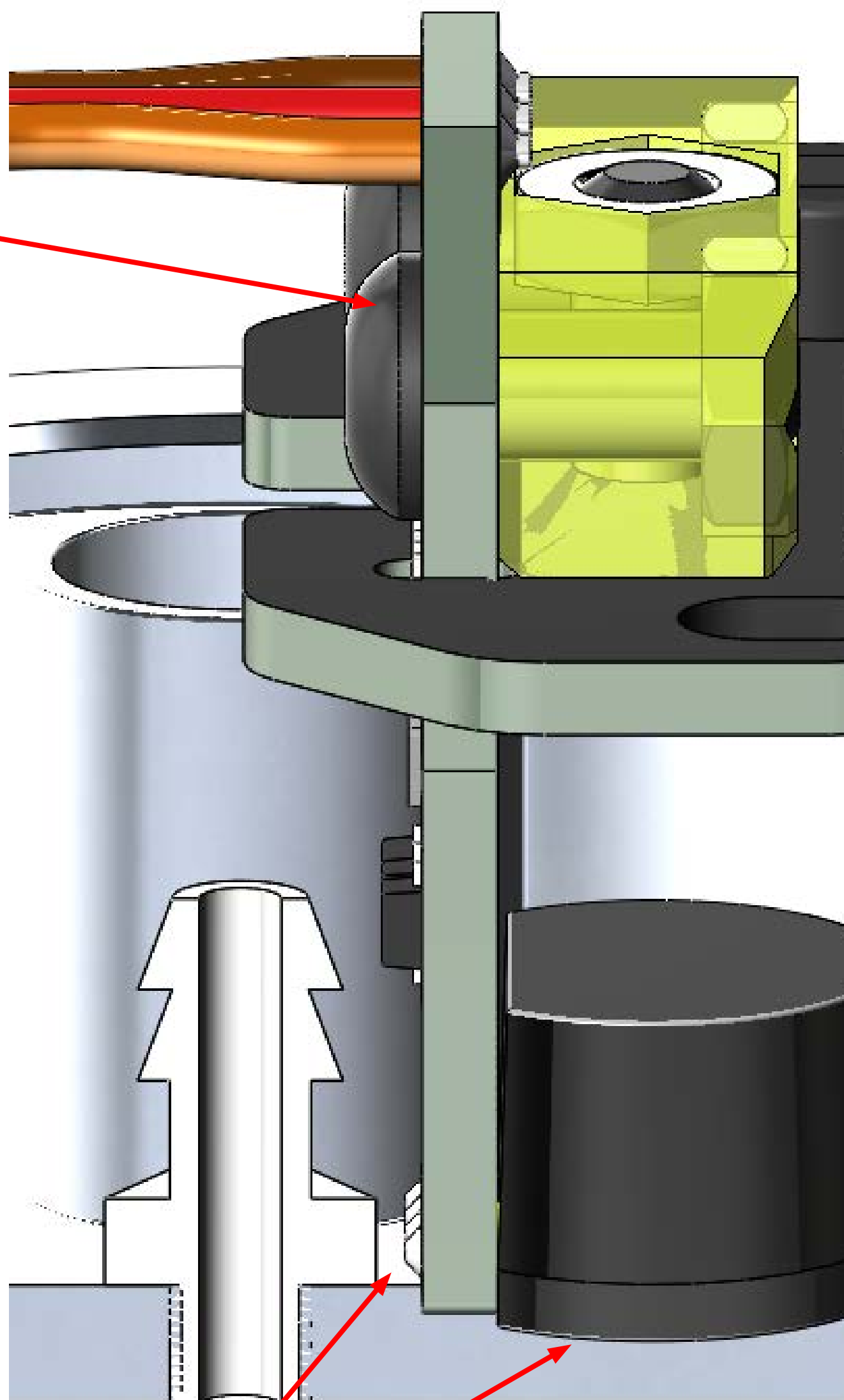


[PLAY MOUNTING VIDEO](#)

[PLAY MOUNTING VIDEO](#)

# XGuard BackPlate Sensor

Use these screws to adjust the distance of the sensor face to the backplate bottom



Make sure that the sensor face and the backplate are as close as possible by sliding the sensor into the bottom



# XGuard BackPlate Sensor

Connect the sensor to your RPM input and program your governor as per your radio's instructions.

